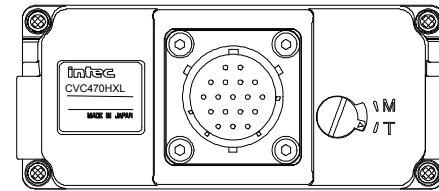
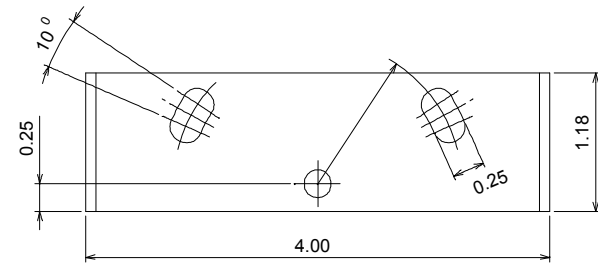
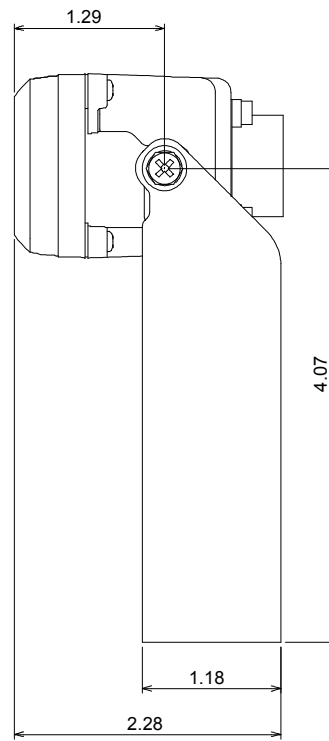
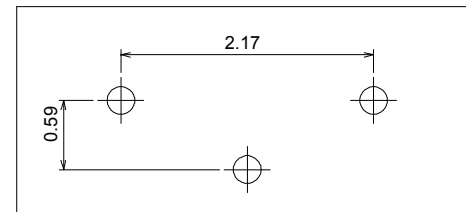



Installation Hole Dimensions



Revisions		Date
Rev	Description	Date



video systems, inc.

23301 Vista Grande
Laguna Hills, CA 92653
949-859-3800

4256 State Route 51 North
Belle Vernon, PA 15012
724-929-5500

Prepared By	KEB	Date	05/24/07
Approved By	DN II	Date	06/28/07
Customer:	Form Number: Intec 001	Date:	06/11/07

Dimensions shown are in inches	
0 ~ 0.50	± 0.02
0.50 ~ 2.00	± 0.04
2.00 ~ 4.00	± 0.08
4.00 ~ 20.00	± 0.12
20.00 ~ 40.00	± 0.16
40.00 ~	± 0.25

Title: CVC470XL Series Dimensional

THIS DOCUMENT CONTAINS CONFIDENTIAL PROPRIETARY INFORMATION. IT SHALL NOT BE USED, DISCLOSED, OR REPRODUCED IN WHOLE OR IN PART WITHOUT WRITTEN PERMISSION FROM INTEC VIDEO SYSTEMS, INC.

PRINTED COPIES ARE UNCONTROLLED

ALWAYS USE WORK INSTRUCTIONS OF SAME REVISION LEVEL

Model: CVC470XL Series

REV A